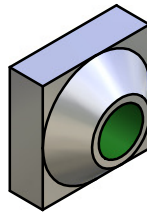
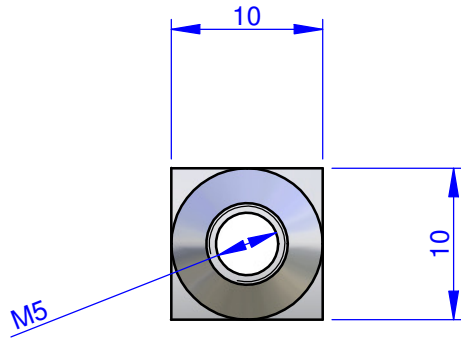


THE PROPERTY OF THIS DRAWING IS ESTABLISHED BY LAW  
IT IS FORBIDDEN TO REPRODUCE IT OR SHOW IT TO THIRD PARTY  
WITHOUT A WRITTEN AGREEMENT.



|                |                               |
|----------------|-------------------------------|
| MODIFICATIONS: | VARIED DIMENSIONS AS OF DATE: |
| 7.             | 10.                           |
| 8.             | 11.                           |
| 9.             | 12.                           |

|                |                               |
|----------------|-------------------------------|
| MODIFICATIONS: | VARIED DIMENSIONS AS OF DATE: |
| 1.             | 4.                            |
| 2.             | 5.                            |
| 3.             | 6.                            |

**FP** Services



DESIGNED FROM  
FPSERVICES

DATE 11/2013 WEIGHT 0,001 kg

CODE **CA.02.05.010**

Format A4  
UNI 936-76

GENERAL TOLERANCE:  
UNI - ISO 2768  
CLASSE f

DESCRIPTION

